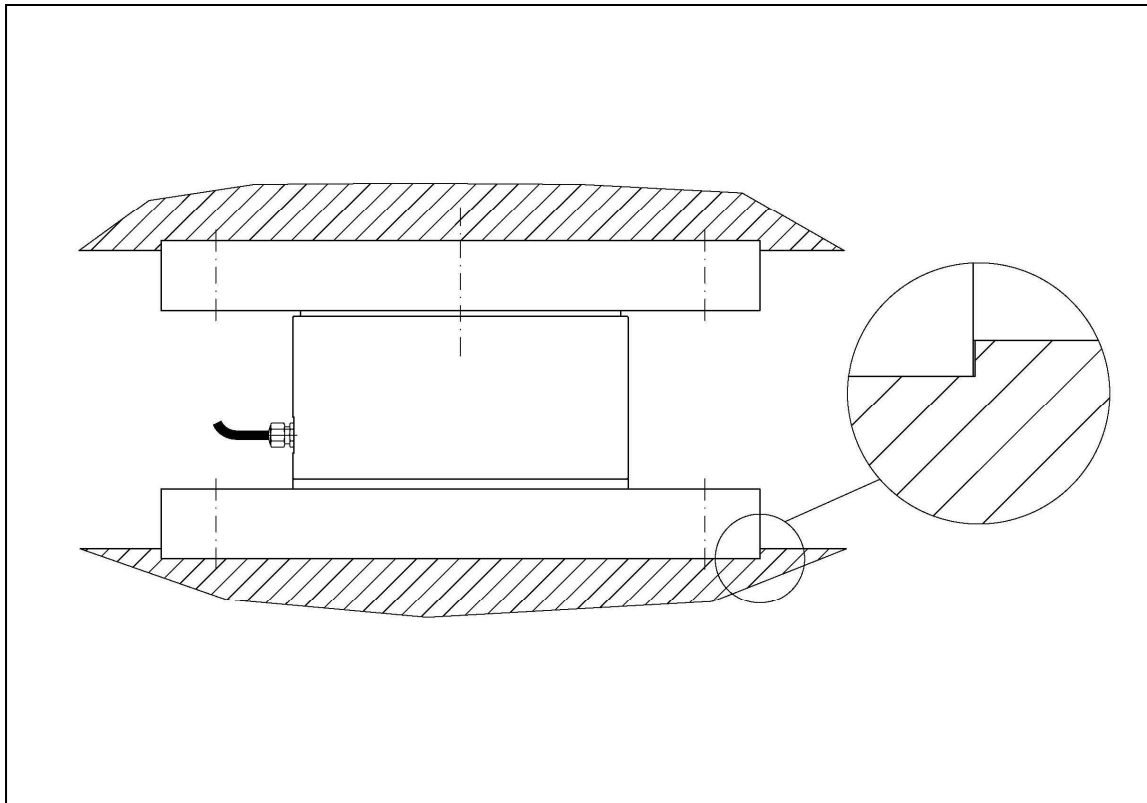


## SPECIFICATIONS TO CONSIDER IN LOAD CELL MODEL CA 500t

- The load cell model CA is designed to work in compression.
- In case to use the load cell CA in installations that can exist traction forces, they must foresee external security elements (anti-overtum, etc ..) to prevent that these forces are not relapse exclusively in the load cell and his fixing screws.
- If case that the load cell can suffer significant shear beam stresses is recommended to embed the support like is shown in picture. This will prevent those efforts fall directly on the screws.



- Accommodations at the upper and lower supports for the fiction of the supports in the structure are located in the same vertical axis and you must to use M20 grade 12.9 bolts.